



**CARRY DISPLAY**  
**MAKE THE VISUAL BETTER**  
SHENZHEN CARRY DISPLAY TECHNOLOGY CO., LTD

**“ Quality**

**IS OUR COMPANY CULTURE !**

**”**



**info@ carrydisplay net**



**+86-1882333 9499**



**www.carrylcd.com**



# CATALOG

- Company Honor
- LCD video wall display
- Commercial LCD Digital Signage display
- Interactive Touch Screen Table
- Interactive whiteboard
- High brightness digital signage
- Outdoor Floor standing totem
- Outdoor hanging advertising machine
- Outdoor wall hanging
- Dimension drawing

# AUTHENTICATION

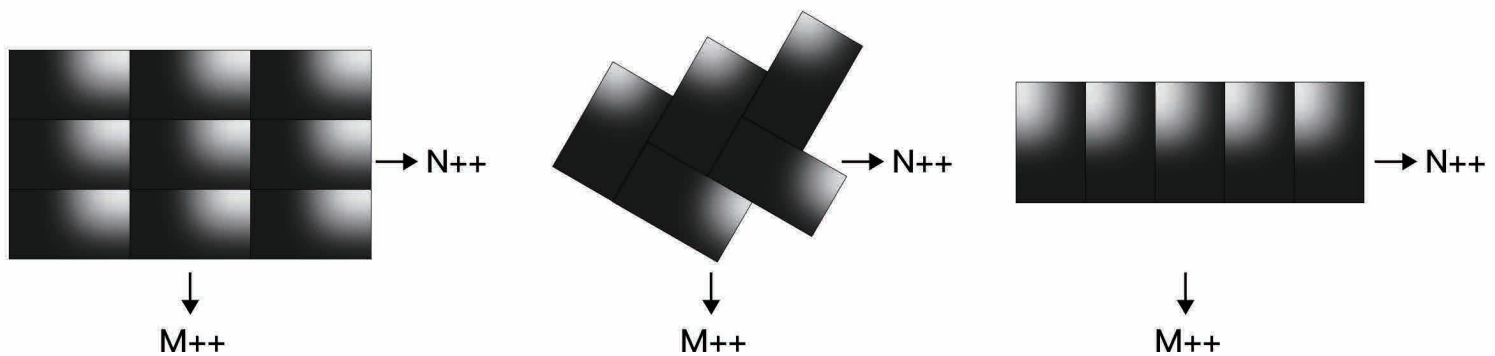
CARRY DISPLAY HAS STRICTLY  
REQUIRED EXCELLENCE  
IN RESEARCH AND  
DEVELOPMENT PRODUCTION





# ULTRA-THIN LCD VIDEO WALL

ORIGINAL LCD SPLICING PANEL, USING EFFICIENT 3D COMB FILTER IMAGE PROCESSING ENGINE, 3D DYNAMIC COMPENSATION TECHNOLOGY AND SUPER DIGITAL DRIVE SYSTEM, 8MS EXTREMELY FAST RESPONSE, WHETHER IT IS IMAGE CLARITY, DETAIL PERFORMANCE, AND GRAY LEVELS ARE PERFECTLY PRESENTED. THE SYSTEM CAN MEET THE NEEDS OF DIGITAL HIGH-DEFINITION SIGNAL ACCESS, AND VARIOUS SIGNAL INPUTS CAN ACHIEVE SPECIAL DISPLAY FUNCTIONS SUCH AS SINGLE-SCREEN DISPLAY, WINDOW OPENING, OVERLAY, CROSS-SCREEN, ROAMING ZOOM AND SO ON. IT IS WIDELY USED IN EDUCATION, COMMAND, EXHIBITION, MONITORING AND MANY OTHER FIELDS.



Pre hydraulic maintenance



Floor stand

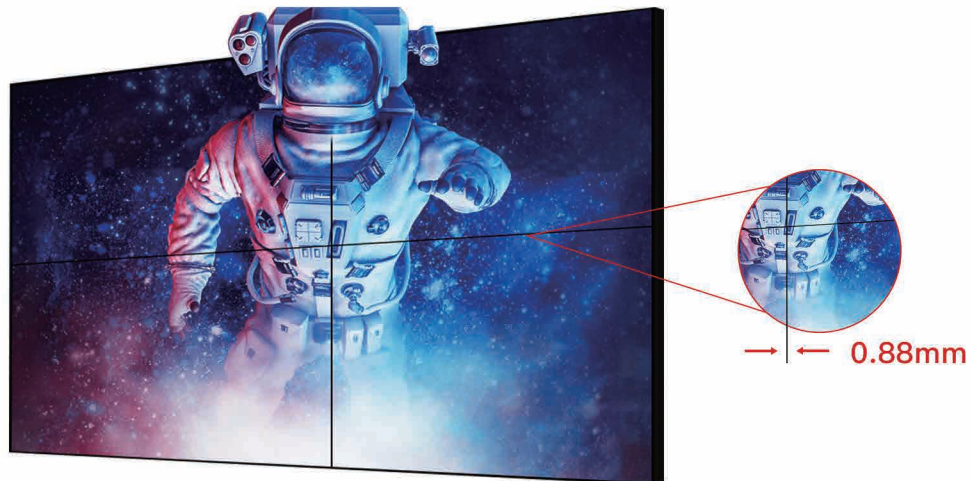


Cabinet installation

\* THE LCD SPLICING WALL AND THE NUMBER OF SPLICING (ROW (M) X COLUMN (N)) ARE SELECTED TO MEET THE NEEDS OF DIFFERENT OCCASIONS.

## PHYSICAL SEAM SELECTION

0.88mm/1.7mm/1.8mm/3.5mm/5.5mm



## SEAMLESS SPLICING TECHNOLOGY

ON THE BASIS OF THE CONVENTIONAL SPLICING SCREEN, THE USE OF OPTICAL MATERIALS, THROUGH THE LIGHT REFRACTION TECHNOLOGY, OPTICAL SHADING PROCESSING TO FUSE THE IMAGE, THE BLACK EDGE HIDDEN, SHOWING A PERFECT LARGE SCREEN DISPLAY, HIGHLIGHTING THE SHOCK OF THE LARGE SCREEN VISUAL EFFECT, EYE-CATCHING. AT THE SAME TIME , WE HAVE RELEASED THE TECHNOLOGY OF WHITE BALANCE AUTOMATIC ADJUSTMENT HAS SOLVED THE PROBLEM THAT THE INDUSTRY HAS BEEN UNABLE TO SOLVE FOR MANY YEARS





## MAJOR FUNCTION



### \* HUMANIZED MENU

USERS CAN CHOOSE THE COLOR TEMPERATURE MODE ACCORDING TO THE USE ENVIRONMENT, AND ADJUST THE BRIGHTNESS, CONTRAST, SATURATION AND OTHER DISPLAY PARAMETERS TO ACHIEVE THE BEST PICTURE QUALITY.

### \* MULTI FUNCTION CONTROL SOFTWARE

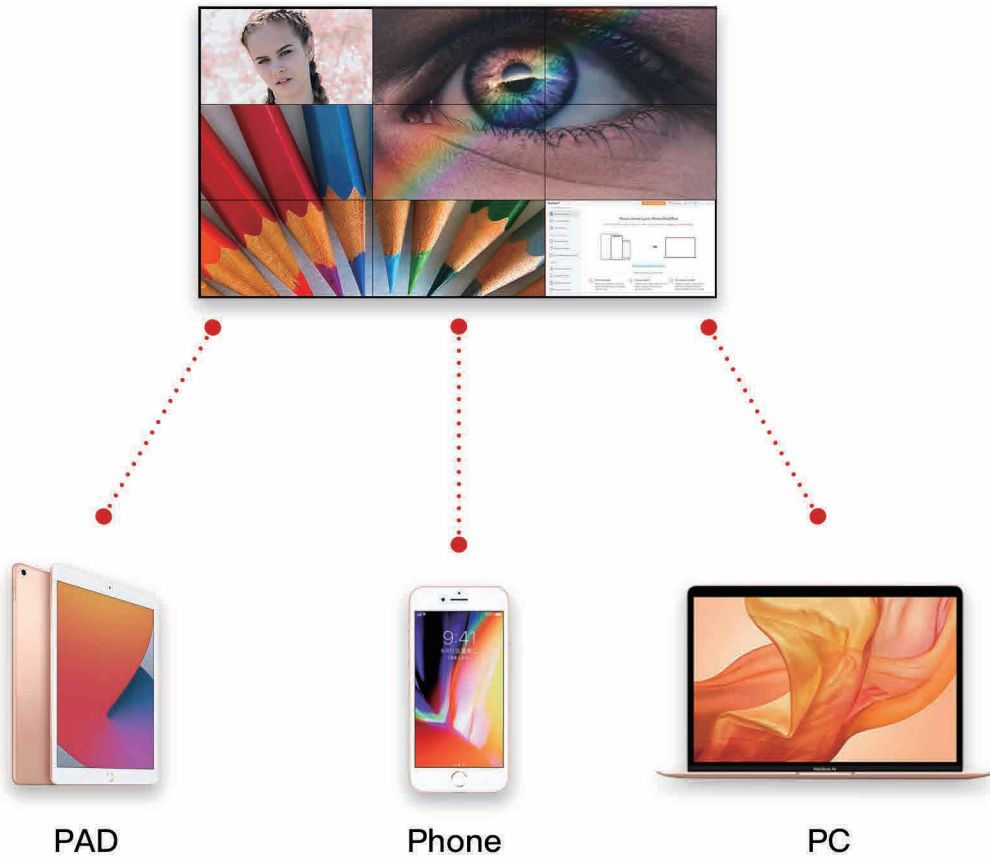
FOR THE UPPER COMPUTER SOFTWARE OF SPLICING PRODUCTS, IT CAN CONTROL THE COMBINATION, DECOMPOSITION, SWITCHING AND OTHER CONTROL OPERATIONS OF SPLICING BY SOFTWARE, WHICH IS CONVENIENT, QUICK AND PRACTICAL AND EFFICIENT.

### \* THE INTERFACE IS COMPLETE AND THE DIGITAL RING IS CONNECTED

IT HAS HDMI, DVI, VGA COMMON INPUT INTERFACE, AND CAN SUPPORT DP4K ULTRA CLEAR DIGITAL SIGNAL LOOPING, WHICH IS APPLICABLE TO A VARIETY OF SCENARIOS.

### \* HIGH EXPANSIBILITY

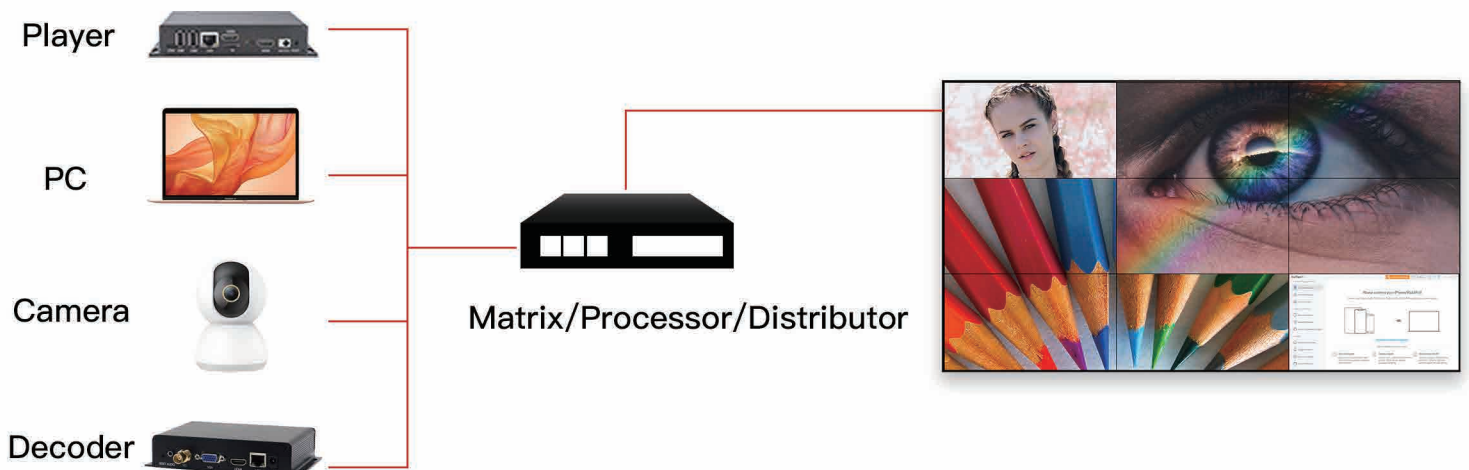
WITH SPLICING MATRIX, PROCESSOR, IT CAN REALIZE ARBITRARY SWITCHING, WINDOW ROAMING, IPC DECODING AND OTHER DIVERSIFIED CONTROL, DIVERSIFIED MANAGEMENT TO MEET THE NEEDS OF DIFFERENT PROJECTS.



**\* VARIOUS WAYS TO CONTROL THE DEVICE, GET RID OF THE LIMITATIONS OF TRADITIONAL CONTROL, SUPPORT MOBILE PHONES, TABLETS, PC.**

USERS CAN CHOOSE THE COLOR TEMPERATURE MODE ACCORDING TO THE USE ENVIRONMENT, AND ADJUST THE BRIGHTNESS, CONTRAST, SATURATION AND OTHER DISPLAY PARAMETERS TO ACHIEVE THE BEST PICTURE QUALITY.

## MULTIPLE COMBINATIONS







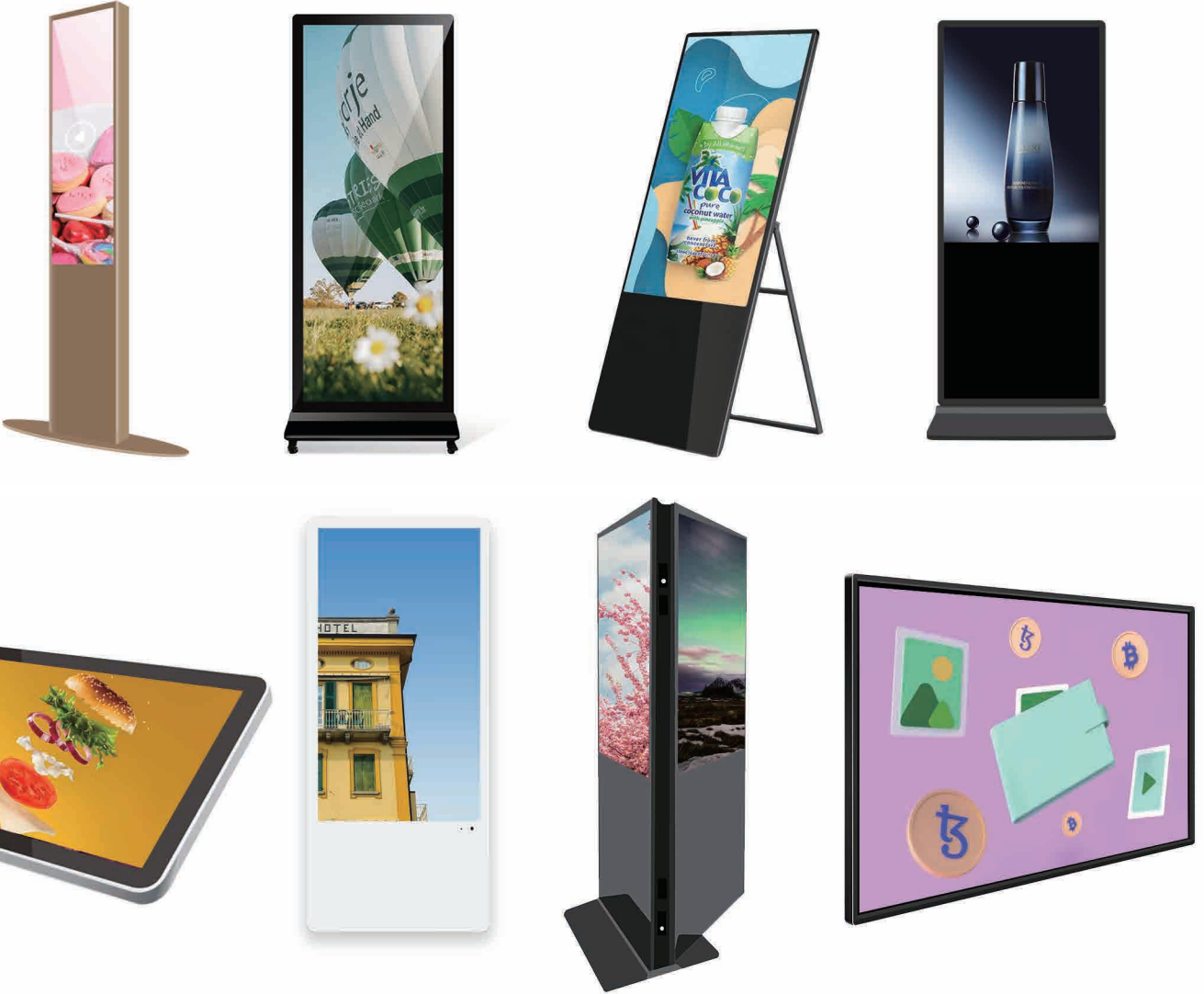
## SPECIFICATION PARAMETERS

| SIZE                | 46inch                                       | 49inch           | 55inch           | 65inch             |
|---------------------|--|------------------|------------------|--------------------|
| DISPLAY SIZE        | 1018.08mm*572.67mm                           | 1074.24*604.26mm | 1209.6mm*680.4mm | 1428.48mm*803.52mm |
| RESOLVING POWER     | 1920*1080                                    | 1920*1080        | 1920*1080        | 3840*2160          |
| LCD PANEL BRAND     | LG/SAMSUNG/BOE/CSOT                          |                  |                  |                    |
| PHYSICAL JOINT      | 0.88mm/1.7mm/1.8mm/3.5mm/5.5mm               |                  |                  |                    |
| DISPLAY SCALE       | 16:9   |                  |                  |                    |
| BRIGHTNESS          | 500cd/ m <sup>2</sup> -700cd/ m <sup>2</sup> |                  |                  |                    |
| CONTRAST RATIO      | 3500:1                                       |                  |                  |                    |
| COLOR               | 16.7M(8bit)                                  |                  |                  |                    |
| VIEWING ANGLE       | 89°/89°/89°/89°(min)(CR≥10)                  |                  |                  |                    |
| RESPONSE SPEED      | 8ms  |                  |                  |                    |
| EQUILIBRIUM DEGREE  | 75%  |                  |                  |                    |
| HDMI                | 1*HDMI IN                                    |                  |                  |                    |
| DVI                 | 1*DVI IN                                     |                  |                  |                    |
| VGA                 | 1*VGA IN                                     |                  |                  |                    |
| CBVS                | 1*CBVS IN                                    |                  |                  |                    |
| USB                 | 1*USB  |                  |                  |                    |
| RS232               | 1*RS232 IN/2*RS232 OUT                       |                  |                  |                    |
| WORKING VOLTAGE     | AC110V/220V 50/60HZ                          |                  |                  |                    |
| WORKING TEMPERATURE | 0~50°  |                  |                  |                    |
| STORAGE TEMPERATURE | -20~50°                                      |                  |                  |                    |
| RELATIVE HUMIDITY   | 10-80% RH without condensation               |                  |                  |                    |
| SERVICE LIFE        | 50000H                                       |                  |                  |                    |

## MULTIPLE COMBINATIONS

Security, conference, exhibition, complex, enterprise propaganda, government propaganda, media promotion, chain propaganda, etc.



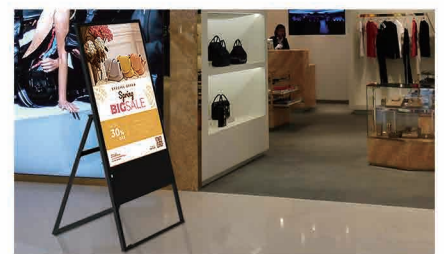


## SPECIFICATION PARAMETERS

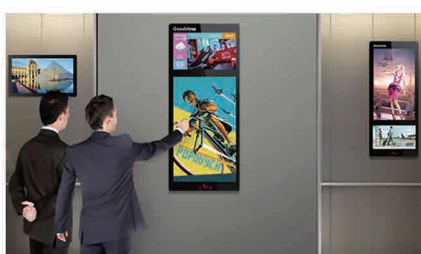
|                      |   |
|----------------------|---|
| SIZE                 | 18.5inch/21.5inch/32inch/43inch/49inch/55inch/65inch/75inch/86inch/98inch           |
| RESOLVING POWER      | 1920*1080/3840*2160   |
| VIEWING ANGLE        | 89°/89°/89°/89°(min)(CR≥10)   |
| RESPONSE SPEED       | 8ms   |
| PROCESSOR            | Coretex-A7 1.3GHz   |
| GPU                  | RK3288, Quad-core, the highest frequency 1.8GHz, Android 7.1.2                      |
| RAM                  | DDR3, 2GB by default  |
| ROM                  | 8GB NAND Flash  |
| OPERATING SYSTEM     | Based on Android 6.0  |
| SUPPORT VIDEO FORMAT | avi/mpeg/wmv/mpg/ra/rm/ram/rmvb/dat/mov/asf/mtv/mkv/3gp/mp4/amv/dmv/swf/divx/ts/flv |
| SUPPORT IMAGE FORMAT | jpg/jpeg/bmp/png/gif  |
| SUPPORT AUDIO FORMAT | mp3   |
| VOICE                | 2*High fidelity 8 Ω 5W loudspeaker  |
| ETHERNET             | 10 / 100 / 1000Mbps adaptive  |
| WIFI                 | Wireless protocol 802.11b/g/n   |
| 4G                   | Support domestic mobile, Unicom, telecom triple play system                         |
| TF CARD              | 1 * TF standard card holder   |
| USB                  | 2*USB 2.0   |
| OPERATION            | No / infrared 10 touch / capacitance 10 touch                                       |
| WORKING VOLTAGE      | AC110V/220V 50/60Hz   |
| WORKING TEMPERATURE  | 0~50°   |
| STORAGE TEMPERATURE  | -20~50°   |
| RELATIVE HUMIDITY    | 10-80% RH without condensation  |
| SERVICE LIFE         | 50000H  |

## MULTIPLE COMBINATIONS

Exhibition, complex, enterprise propaganda, government propaganda, media promotion, chain propaganda and other fields of application.



Exhibition, complex, enterprise propaganda, government propaganda, media promotion, chain propaganda and other fields of application.







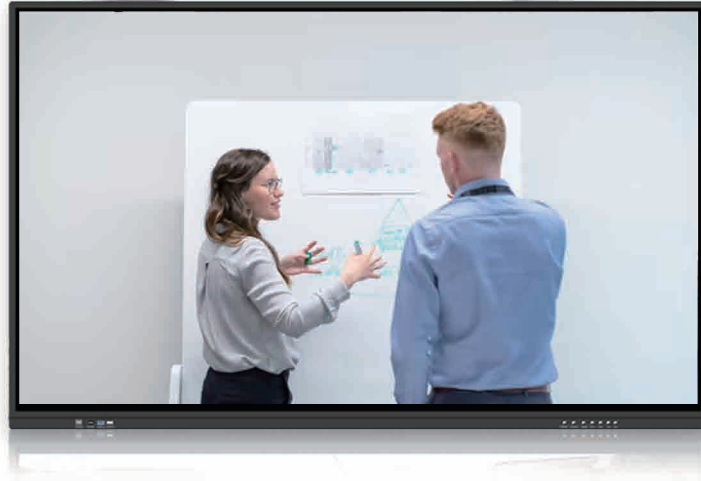
## SPECIFICATION PARAMETERS

|                      |   |                               |
|----------------------|---|-------------------------------|
| SIZE                 | 18.5inch/21.5inch/32inch/43inch/49inch/55inch/65inch/75inch/86inch/98inch           |                               |
| RESOLVING POWER      | 1920*1080/3840*2160   |                               |
| VIEWING ANGLE        | 89°/89°/89°/89°(min)(CR≥10)   |                               |
| RESPONSE SPEED       | 8ms   |                               |
| PROCESSOR            | Coretex-A17 1.8GHz  | Intel Core I3                 |
| GPU                  | Mali400 MP2   | Intel integrated display core |
| RAM                  | DDR-3 2GB   | DDR-3 4GB                     |
| ROM                  | 8GB NAND Flash  | 128G SSD                      |
| OPERATING SYSTEM     | Based on Android 5.1  | Windows7/10                   |
| HDMI                 | 1*HDMI OUT  | 1*HDMI OUT                    |
| USB                  | 2*USB 2.0   | 2*USB 2.0/2*USB 3.0           |
| VGA                  | -   | 1*VGA OUT                     |
| AUDIO FREQUENCY      | -   | 1*MIC IN/1*PHONE OUT          |
| TF                   | 1 * TF standard card holder   | -                             |
| TOUCH MODE           | Infrared 10 points / projection capacitance 10 points                               |                               |
| SUPPORT VIDEO FORMAT | avi/mpeg/wmv/mpg/ra/rm/ram/rmvb/dat/mov/asf/mtv/mkv/3gp/mp4/amv/dmv/swf/divx/ts/flv |                               |
| SUPPORT IMAGE FORMAT | jpg/jpeg/bmp/png/gif  |                               |
| SUPPORT AUDIO FORMAT | mp3   |                               |
| VOICE                | 2*High fidelity 8 Ω 5W loudspeaker  |                               |
| ETHERNET             | 10 / 100 / 1000Mbps adaptive  |                               |
| WIFI                 | Wireless protocol 802.11b/g/n   |                               |
| 4G                   | Support domestic mobile, Unicom, telecom triple play system                         |                               |
| WORKING VOLTAGE      | AC110V/220V 50/60Hz   |                               |
| WORKING TEMPERATURE  | 0~50°   |                               |
| STORAGE TEMPERATURE  | -20~50°   |                               |
| RELATIVE HUMIDITY    | 10-80% RH without condensation  |                               |

## MULTIPLE COMBINATIONS

Exhibition, complex, enterprise propaganda, government propaganda, media promotion, chain propaganda and other fields of application.





## SPECIFICATION PARAMETERS

| SIZE                | 55inch                         | 65inch           | 75inch                        | 86inch        |
|---------------------|--------------------------------|------------------|-------------------------------|---------------|
| DISPLAY SIZE        | 1210.3mm*680.8mm               | 1428.7mm*801.5mm | 1649.5mm*927.6mm              | 1893mm*1064mm |
| RESOLVING POWER     | 1920*1080/3840*2160            |                  |                               |               |
| VIEWING ANGLE       | 89°/89°/89°/89°(min)(CR≥10)    |                  |                               |               |
| RESPONSE SPEED      | 8ms                            |                  |                               |               |
| OPERATING SYSTEM    | Android                        |                  | Windows                       |               |
| PROCESSOR           | Coretex-A53*4 1.4GHz           |                  | Intel Core™ i3                |               |
| GPU                 | T720MP2                        |                  | Intel integrated display core |               |
| RAM                 | DDR-3 2GB                      |                  | DDR-3 4GB                     |               |
| ROM                 | 8GB NAND Flash                 |                  | 128GB SSD                     |               |
| ETHERNET            | 1*RJ45                         |                  | 1*RJ45                        |               |
| VGA                 | 1*VGA IN                       |                  | 1*VGA OUT                     |               |
| YPBPR               | 1*YPBPR IN                     |                  | -                             |               |
| AV                  | 1*AV IN/1*AV OUT               |                  | -                             |               |
| EARPHONE            | 1*Earphone OUT                 |                  | 1*Earphone OUT                |               |
| TUNER               | 1*Tuner                        |                  | -                             |               |
| SPDIF               | 1*Spdif                        |                  | 1*Spdif                       |               |
| HDMI                | 3*HDMI IN                      |                  | 1*HDMI OUT                    |               |
| USB                 | 3*USB(reunite with)            |                  | 4*USB                         |               |
| TF                  | 1 * TF standard card holder    |                  | -                             |               |
| MIC                 | -                              |                  | 1*MIC IN                      |               |
| NETWORK CARD        | 10 / 100 / 1000Mbps adaptive   |                  |                               |               |
| WIFI                | 802.11b/g/n                    |                  |                               |               |
| WORKING VOLTAGE     | AC110V/220V 50/60Hz            |                  |                               |               |
| WORKING TEMPERATURE | 0~50°                          |                  |                               |               |
| STORAGE TEMPERATURE | -20~50°                        |                  |                               |               |
| RELATIVE HUMIDITY   | 10-80% RH without condensation |                  |                               |               |

## MULTIPLE COMBINATIONS

Enterprise conference, training institutions and other fields of application.







## SPECIFICATION PARAMETERS

| MODEL                  | FSHD43-D25           | FSHD49-D25           | FSHD55-D25            | FSHD65-D25           |
|------------------------|----------------------|----------------------|-----------------------|----------------------|
| SIZE                   | 43inch               | 49inch               | 55inch                | 65inch               |
| PANEL TECHNOLOGY       | IPS,M+ (WRGB)        | IPS,M+ (WRGB)        | IPS,M+ (WRGB)         | IPS,M+ (WRGB)        |
| DISPLAY SCALE          | 16:9                 | 16:9                 | 16:9                  | 16:9                 |
| RESOLUTION             | 1920*1080            | 1920*1080            | 3840*2160             | 3840*2160            |
| BRIGHTNESS             | 2500nits             | 2500nits             | 2500nits              | 2500nits             |
| CONTRAST RATIO         | 1200:1               | 1200:1               | 1200:1                | 1200:1               |
| VIEWING ANGLE          | 178/178              | 178/178              | 178/178               | 178/178              |
| SURFACE TREATMENT      | Haze 3%              | Haze 3%              | Haze 3%               | Haze 3%              |
| LIFE                   | 50000H               | 50000H               | 50000H                | 50000H               |
| WORKING HOURS          | 24H                  | 24H                  | 24H                   | 24H                  |
| DISPLAY MODE           | Horizontal, vertical | Horizontal, vertical | Horizontal, vertical  | Horizontal, vertical |
| INPUT INTERFACE        | HDMI VGA Audio USB   | HDMI VGA Audio USB   | HDMI VGA Audio USB    | HDMI VGA Audio USB   |
| EXTERNAL INTERFACE     | R232 IR Receiver In  | R232 IR Receiver In  | R232 IR Receiver In   | R232 IR Receiver In  |
| COLOUR                 | black                | black                | black                 | black                |
| BORDER SIZE            | 8.8mm                | 8.8mm                | 8.8mm                 | 8.8mm                |
| DIMENSIONS             | 965*533*85.3mm       | 1093.2*621.9*85.3mm  | 1232.34*703.82*85.3mm | 1455*831*85.3mm      |
| WEIGHT                 | 24kg                 | 24kg                 | 24kg                  | 24kg                 |
| PACKAGE SIZE           | 1065*635*240mm       | 1195*725*240mm       | 1235*805*240mm        | 1555*935*240mm       |
| INSTALLATION DIMENSION | VESA500*300mm        | VESA500*300mm        | VESA500*400mm         | VESA500*400mm        |
| WORKING TEMPERATURE    | 0~50°                | 0~50°                | 0~50°                 | 0~50°                |
| WORKING HUMIDITY       | 10%~85%              | 10%~85%              | 10%~85%               | 10%~85%              |
| INPUT VOLTAGE          | 180~264V,50/60Hz     | 180~264V,50/60Hz     | 180~264V,50/60Hz      | 180~264V,50/60Hz     |
| MAXIMUM POWER          | 260W                 | 290W                 | 310W                  | 440W                 |

## MULTIPLE COMBINATIONS

Suitable for any retailer, supermarket etc Applications







## SPECIFICATION PARAMETERS

|                       |   |                               |
|-----------------------|---|-------------------------------|
| SIZE                  | 18.5inch/21.5inch/32inch/43inch/49inch/55inch/65inch/75inch/86inch/98inch           |                               |
| RESOLVING POWER       | 1920*1080/3840*2160   |                               |
| VIEWING ANGLE         | 89°/89°/89°/89°(min)(CR≥10)   |                               |
| RESPONSE SPEED        | 8ms   |                               |
| BRIGHTNESS            | 1500~2500cd/ m²   |                               |
| PROCESSOR             | Coretex-A17 1.8GHz  | Intel Core™ I3                |
| GPU                   | Mali400 MP2   | Intel integrated display core |
| RAM                   | DDR-3 2GB   | DDR-3 4GB                     |
| ROM                   | 8GB NAND Flash  | 128GB SSD                     |
| OPERATING SYSTEM      | Based on Android 5.1  | Windows7/10                   |
| HDMI                  | 3*HDMI IN   | 1*HDMI OUT                    |
| USB                   | 3*USB(reunite with)   | 4*USB                         |
| VGA                   | -   | 1*VGA OUT                     |
| AUDIO FREQUENCY       | -   | 1*MIC IN/1*PHONE OUT          |
| TF                    | 1 * TF standard card holder   | -                             |
| TOUCH MODE            | Infrared 10 points / projection capacitance 10 points                               |                               |
| SUPPORT VIDEO FORMAT  | avi/mpeg/wmv/mpg/ra/rm/ram/rmvb/dat/mov/asf/mtv/mkv/3gp/mp4/amv/dmv/swf/divx/ts/flv |                               |
| SUPPORT IMAGE FORMAT  | jpg/jpeg/bmp/png/gif  |                               |
| SUPPORT AUDIO FORMAT  | mp3   |                               |
| VOICE                 | 2*High fidelity 8 Ω 5W loudspeaker  |                               |
| ETHERNET              | 10 / 100 / 1000Mbps adaptive  |                               |
| WIFI                  | Wireless protocol 802.11b/g/n   |                               |
| 4G                    | Support domestic mobile, Unicom, telecom triple play system                         |                               |
| WORKING VOLTAGE       | AC110V/220V 50/60Hz   |                               |
| WORKING TEMPERATURE   | 0~50°   |                               |
| STORAGE TEMPERATURE   | -20~50°   |                               |
| RELATIVE HUMIDITY     | 10-80% RH without condensation  |                               |
| HEAT DISSIPATION MODE | Air cooling / air conditioning  |                               |
| WATERPROOF GRADE      | IP55/65   |                               |

## MULTIPLE COMBINATIONS

Enterprise publicity, government publicity, media promotion, chain publicity, bus stop sign and other applications.





## SPECIFICATION PARAMETERS

| MODEL                  | FSHD43-D25           | FSHD49-D25           | FSHD55-D25            | FSHD65-D25           |
|------------------------|----------------------|----------------------|-----------------------|----------------------|
| SIZE                   | 43inch               | 49inch               | 55inch                | 65inch               |
| PANEL TECHNOLOGY       | IPS,M+ (WRGB)        | IPS,M+ (WRGB)        | IPS,M+ (WRGB)         | IPS,M+ (WRGB)        |
| DISPLAY SCALE          | 16:9                 | 16:9                 | 16:9                  | 16:9                 |
| RESOLUTION             | 1920*1080            | 1920*1080            | 3840*2160             | 3840*2160            |
| BRIGHTNESS             | 2500nits             | 2500nits             | 2500nits              | 2500nits             |
| CONTRAST RATIO         | 1200:1               | 1200:1               | 1200:1                | 1200:1               |
| VIEWING ANGLE          | 178/178              | 178/178              | 178/178               | 178/178              |
| SURFACE TREATMENT      | Haze 3%              | Haze 3%              | Haze 3%               | Haze 3%              |
| LIFE                   | 50000H               | 50000H               | 50000H                | 50000H               |
| WORKING HOURS          | 24H                  | 24H                  | 24H                   | 24H                  |
| DISPLAY MODE           | Horizontal, vertical | Horizontal, vertical | Horizontal, vertical  | Horizontal, vertical |
| INPUT INTERFACE        | HDMI VGA Audio USB   | HDMI VGA Audio USB   | HDMI VGA Audio USB    | HDMI VGA Audio USB   |
| EXTERNAL INTERFACE     | R232 IR Receiver In  | R232 IR Receiver In  | R232 IR Receiver In   | R232 IR Receiver In  |
| COLOUR                 | black                | black                | black                 | black                |
| BORDER SIZE            | 8.8mm                | 8.8mm                | 8.8mm                 | 8.8mm                |
| DIMENSIONS             | 965*533*85.3mm       | 1093.2*621.9*85.3mm  | 1232.34*703.82*85.3mm | 1455*831*85.3mm      |
| WEIGHT                 | 24kg                 | 24kg                 | 24kg                  | 24kg                 |
| PACKAGE SIZE           | 1065*635*240mm       | 1195*725*240mm       | 1235*805*240mm        | 1555*935*240mm       |
| INSTALLATION DIMENSION | VESA500*300mm        | VESA500*300mm        | VESA500*400mm         | VESA500*400mm        |
| WORKING TEMPERATURE    | 0~50°                | 0~50°                | 0~50°                 | 0~50°                |
| WORKING HUMIDITY       | 10%~85%              | 10%~85%              | 10%~85%               | 10%~85%              |
| INPUT VOLTAGE          | 180~264V,50/60Hz     | 180~264V,50/60Hz     | 180~264V,50/60Hz      | 180~264V,50/60Hz     |
| MAXIMUM POWER          | 260W                 | 290W                 | 310W                  | 440W                 |

## MULTIPLE COMBINATIONS

Exhibition, complex, enterprise publicity, government publicity, media promotion, mall display and other fields of application.





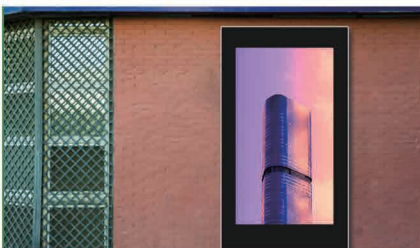


## SPECIFICATION PARAMETERS

|                       |   |
|-----------------------|---|
| SIZE                  | 18.5inch/21.5inch/32inch/43inch/49inch/55inch/65inch/75inch/86inch/98inch           |
| RESOLVING POWER       | 1920*1080/3840*2160   |
| VIEWING ANGLE         | 89°/89°/89°/89°(min)(CR≥10)   |
| RESPONSE SPEED        | 8ms   |
| BRIGHTNESS            | 1500~2500cd/㎡   |
| PROCESSOR             | Coretex-A7 1.3GHz   |
| GPU                   | Mali400 MP2   |
| RAM                   | DDR-3 1GB   |
| ROM                   | 8GB NAND Flash  |
| OPERATING SYSTEM      | Based on Android 6.0  |
| USB                   | 2*USB 2.0   |
| TF                    | 1 * TF standard card holder   |
| SUPPORT VIDEO FORMAT  | avi/mpeg/wmv/mpg/ra/rm/ram/rmvb/dat/mov/asf/mtv/mkv/3gp/mp4/amv/dmv/swf/divx/ts/flv |
| SUPPORT IMAGE FORMAT  | jpg/jpeg/bmp/png/gif  |
| SUPPORT AUDIO FORMAT  | mp3   |
| VOICE                 | 2*High fidelity 8 Ω 5W loudspeaker  |
| ETHERNET              | 10 / 100 / 1000Mbps adaptive  |
| WIFI                  | Wireless protocol 802.11b/g/n   |
| 4G                    | Support domestic mobile, Unicom, telecom triple play system                         |
| WORKING VOLTAGE       | AC110V/220V 50/60Hz   |
| WORKING TEMPERATURE   | 0~50°   |
| STORAGE TEMPERATURE   | -20~50°   |
| RELATIVE HUMIDITY     | 10-80% RH without condensation  |
| HEAT DISSIPATION MODE | Air cooling / air conditioning  |
| WATERPROOF GRADE      | IP55/65   |

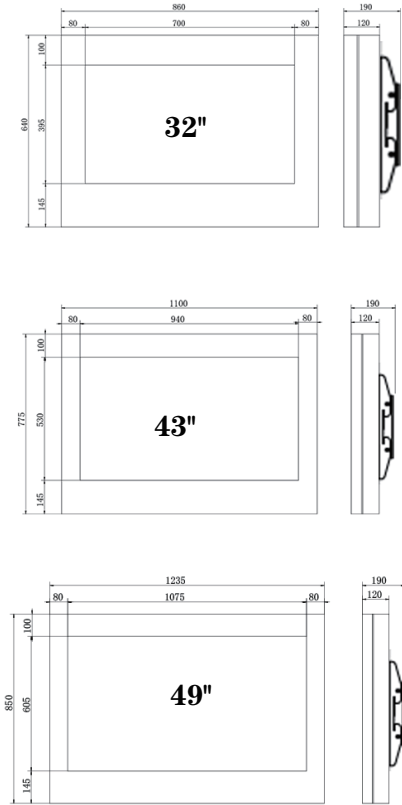
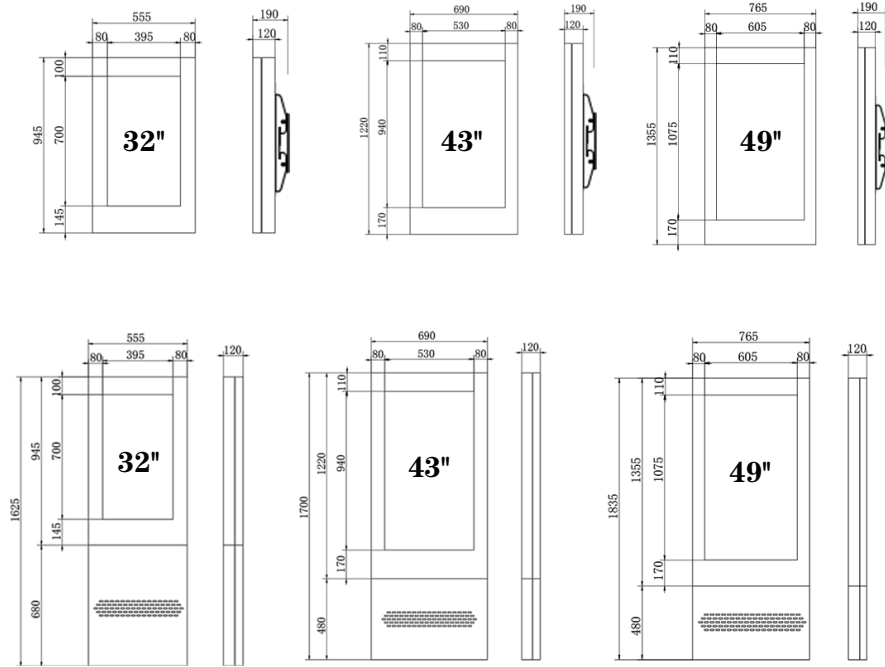
## MULTIPLE COMBINATIONS

Exhibition, complex, enterprise publicity, government publicity, media promotion, mall display and other fields of application.

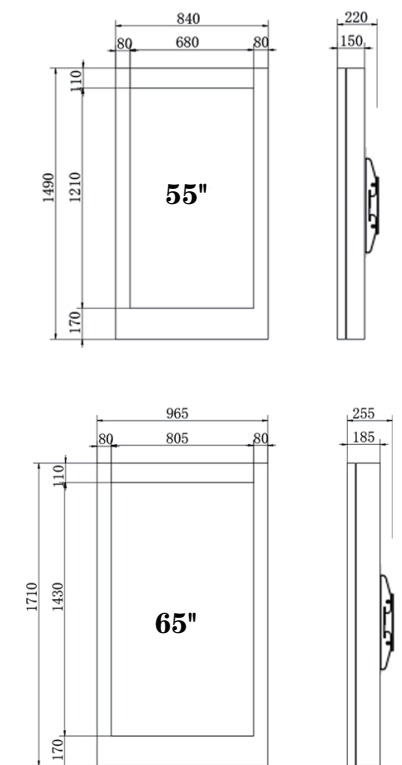
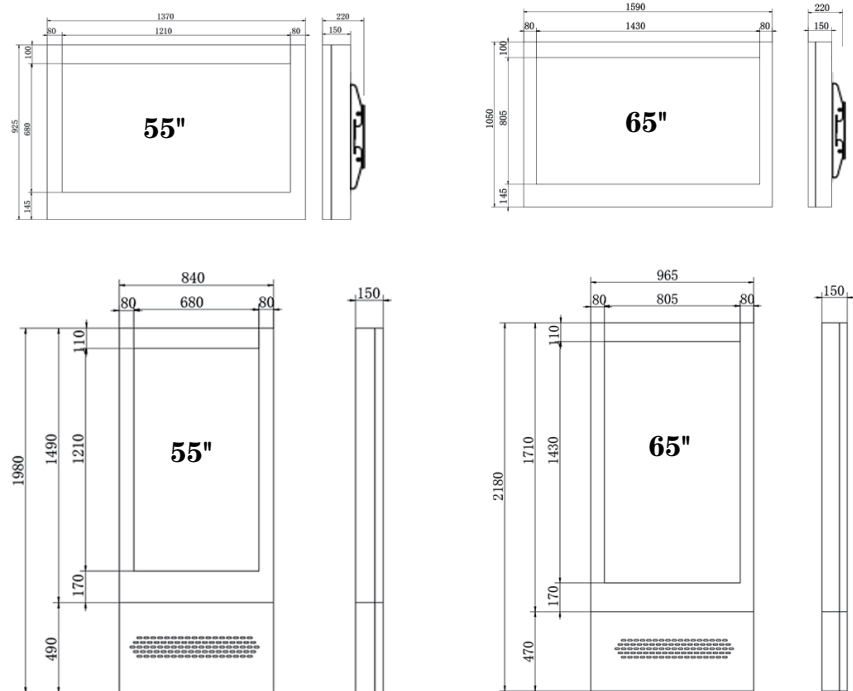




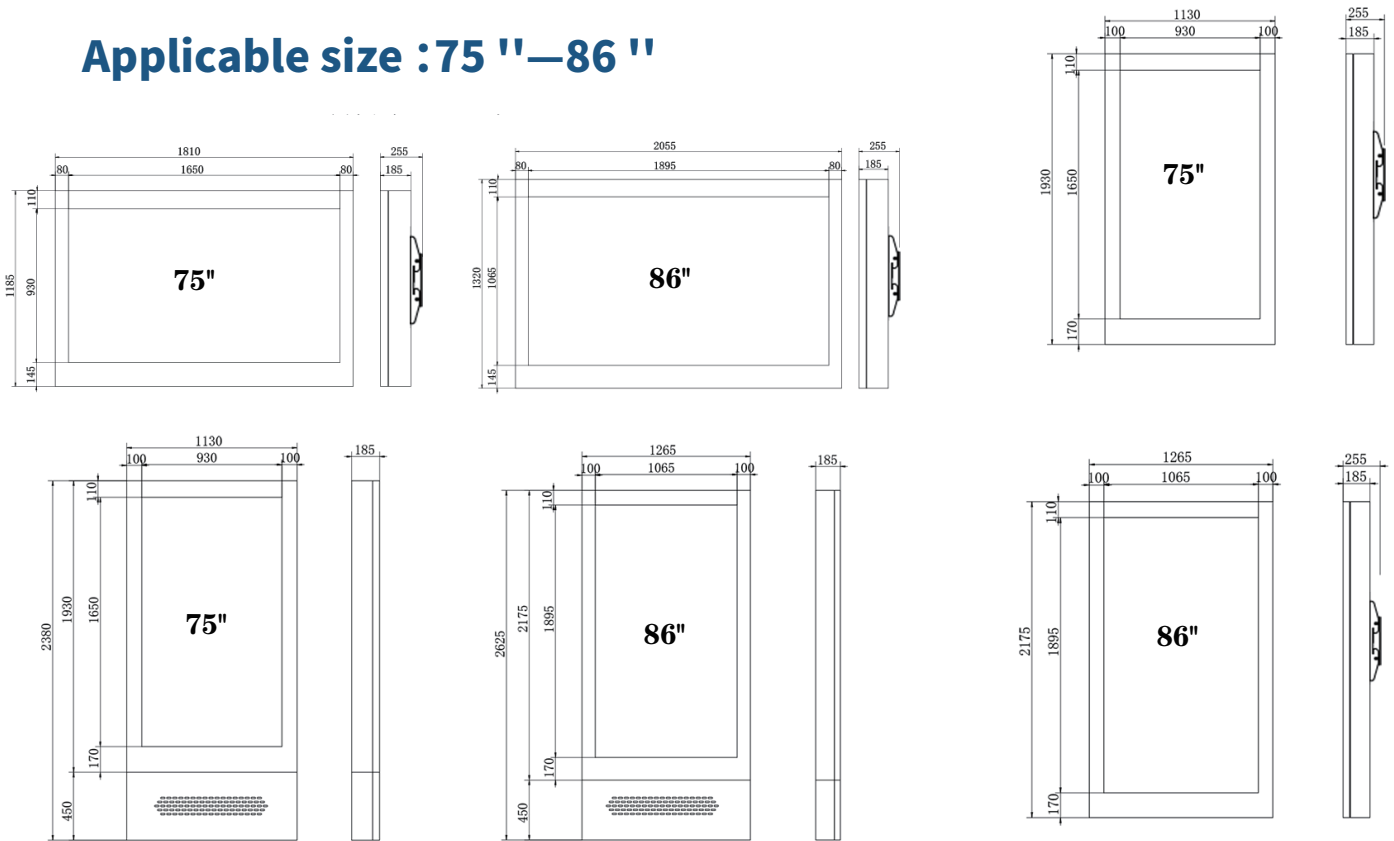
**Applicable size : 32 "—43 "—49 "**



**Applicable size: 55 "—65 "**



### Applicable size : 75 "—86 "



### Double screen size : 32 "to 86 "

